

Technical and Dimensional Data

Saf-T Vent® GC 316

Single Wall
316L Stainless Steel
Special Gas Vent
Sizes 18" -32" Diameters

*Graphics only shown up to 24" size



Tested and Listed to
UL 1738/ULC S636
by Underwriters Laboratories, Inc

heatfab®

5030 Corporate Exchange Blvd
Grand Rapids, MI 49512

Call (800) 772-0739

Fax (800) 972-1421

Canada Sales: 888-735-5475

www.heatfab.com

Saf-T Vent® GC 316

SINGLE WALL 316L SPECIAL GAS VENT

TABLE OF CONTENTS

CATEGORY	PART DESCRIPTION	PAGE
Accessories	Condensate Drain Tube Kit	3
	In-Line Drain Section	4
Covers	Tee Cover	4
	Tee Cover with Drain Fitting	4
Boot Tees	Boot Tee	5
Elbows	15° Elbow	6
	30° Elbow	6
	45° Elbow	7
	90° Elbow	8
Straight Lengths	6", 12", 18" Lengths,	9
	2 Ft & 3 Ft. Lengths	10
	Adjustable Length	10
Supports	Guy Section	11
	Support Clamp	11
	Tall Cone Flashing	12
	Roof Jack Support System	13
Penetrations	Wall Penetration & Horizontal Termination	14
	Wall Penetration Assembly - without Screen	14
Terminations	Mitered Termination with Screen	15
	Screen Termination	15
	Rain Cap	16
Termination Accessories	Storm Collar	16

Saf-T Vent® GC 316

SINGLE WALL 316L SPECIAL GAS VENT

Saf-T Vent GC 316, large diameters, have the same joining system as Saf-T Vent CI Plus/CI 316, combining the tight fit of the tapered male and female expands with a closure system which consists of tabs and a locking strap. The locking strap provides a mechanical connection between the two assembled sections. It also serves to pull together the two pieces, making a pressure-tight assembly. The locking strap is tightened from a single location using a simple hand tool. This single-point fastening system allows one installer to complete an assembly without rotating the sections or rotating himself around the sections.

Accessories:

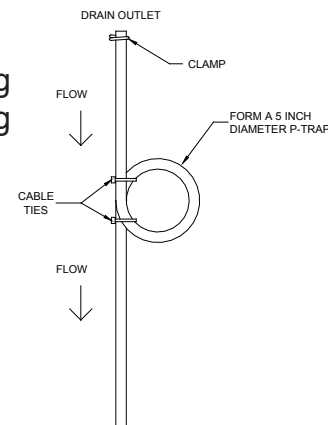
Sealant— Use to seal the system. Approximate coverage is shown in the table below. These figures are based on a 1/4" bead of sealant, actual coverage may vary.

Maximum Appliance Flue Gas Temperature	Sealant	Size	Heatfab Part Number
550° F	Momentive RTV 106	2.8 oz tube	7000RTV
		10.1 oz cartridge	7000RTVL
	Dow Corning 736		
	SGV 550	10.1 oz cartridge	7000 FKM

Approx Number of Joints for Sealant		
Inner Vent Diameter, Inches	3 oz Tube	10 oz Cartridge
18	4	14
20	4	13
22	3	12
24	3	11

Condensate Drain Tube Kit — This kit contains a length of high temperature silicone rubber tubing, a clamp, and two cable ties. The silicone tubing is rated for 500°F, and is translucent to allow inspection of the P-trap. Larger diameter drains can be plumbed directly into a drain system.

Part Number: 7000TUBE 5 feet of 3/8" diameter tubing
 7000TUBE-10 10 feet of 3/8" diameter tubing
 7001TUBE 10 feet of 1/2" diameter tubing



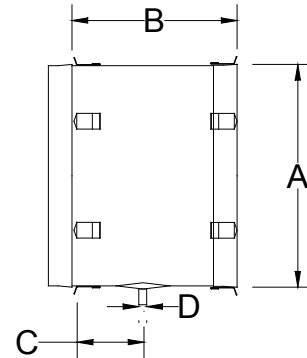
Saf-T Vent® GC 316

SINGLE WALL 316L SPECIAL GAS VENT

Accessories:

In-Line Drain Section — Use to drain away condensate from the vent system. Continuous horizontal runs in excess of 30 feet require a condensate drain. High temperature silicone rubber tubing is available separately, see below.

Part Number	DIM - A Nominal Diameter	DIM - B Installed Length	DIM - C Drain Location	DIM - D Drain Diameter (OD)
71820GC-316	18	7.5	3	0.5
72020GC-316	20	7.5	3	0.5
72220GC-316	22	7.5	3	0.5
72420GC-316	24	7.5	3	0.5

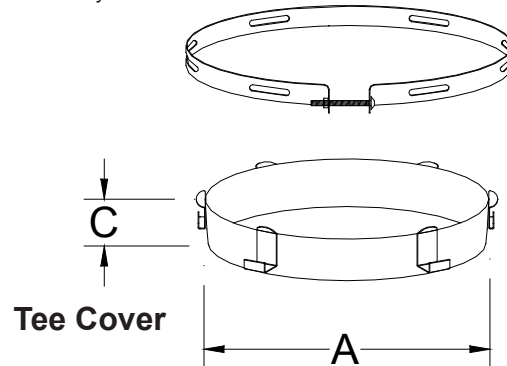


In-Line Drain Section

Covers:

Tee Cover — Used to cap off the male end of a tee that is installed horizontally. The combination of a tee and a tee cover allows for the future addition of appliances to a common-vent system. When Saf-T Vent GC 316 is used as a masonry chimney liner, a tee cover is used to cap off the bottom of a tee that is installed vertically.

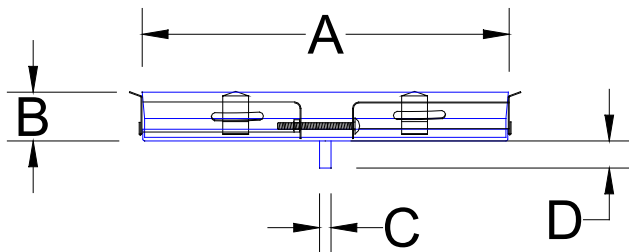
Part Number	DIM - A Nominal Diameter	DIM - B Height
71817GC-316	18	1.62
72017GC-316	20	1.62
72217GC-316	22	1.62
72417GC-316	24	1.62



Tee Cover

Tee Cover with Drain Fitting — Use at the base of a tee or boot tee to drain away condensate from a vent system. This type of tee cover may also be used on the leg of a tee that is installed horizontally, to create a drain in a horizontal run. High temperature silicone rubber tubing is available separately from Heat-fab.

Part Number	DIM - A Nominal Diameter	DIM - B Height	DIM - C Drain Diameter OD	DIM - D Drain Length
71817GCD-316	18	1.62	0.50	1
72017GCD-316	20	1.62	0.50	1
72217GCD-316	22	1.62	0.50	1
72417GCD-316	24	1.62	0.50	1



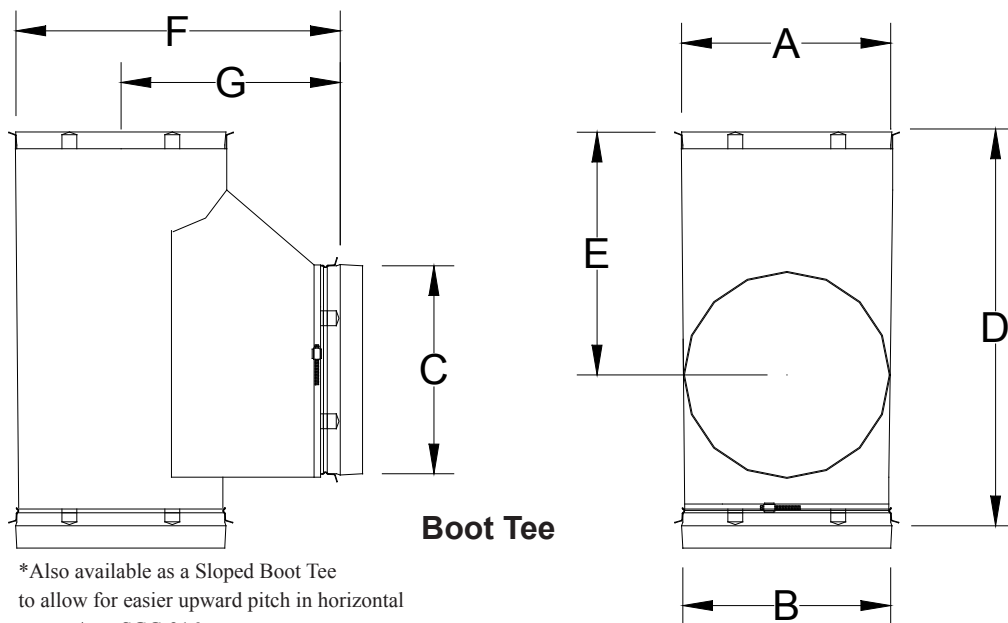
Tee Cover with Drain Fitting

Saf-T Vent® GC 316

SINGLE WALL 316L SPECIAL GAS VENT

Boot Tees:

Boot Tee — Use vertically or horizontally to add appliances into a common-vent system. When installed horizontally, the male end of the tee body may be capped off with a tee cover to allow for future appliances. When used in conjunction with a drain tee cover, the boot tee will effectively transition a vent system from a horizontal to a vertical orientation while allowing for proper condensate drainage. The pressure drop for this fitting is equivalent to 15 feet of vent. Other diameter configurations may be available; please contact Heat-Fab's Engineering Team to discuss your special needs.



Boot Tee

*Also available as a Sloped Boot Tee to allow for easier upward pitch in horizontal runs; p/nSGC-316

**Lateral 45 deg Tees & Double Lateral Tees (aka Wyes and Double Wyes) are also available upon special request

Part Number	DIM - A Out	DIM - B In	DIM - C Tap	DIM - D Installed Length	DIM - E Centerline of Tap to Outlet	DIM - F Installed Depth	DIM - G Installed Distance from Tap to Outlet Centerline
	Nominal Diameters						
718184GC-316	18	18	4	16.5	11.0	28.5	19.5
718186GC-316	18	18	6	18.5	12.0	28.5	19.5
718188GC-316	18	18	8	20.5	13.0	28.5	19.5
7181812GC-316	18	18	12	24.5	15.0	28.5	19.5
71816GC-316	18	18	18	30.5	18.0	28.5	19.5
720206GC-316	20	20	6	18.5	12.0	30.5	20.5
7202010GC-316	20	20	10	22.5	14.0	30.5	20.5
72016GC-316	20	20	20	32.5	19.0	30.5	20.5
72216GC-316	22	22	22	34.5	20.0	32.5	21.5
72416GC-316	24	24	24	36.5	21.0	34.5	22.5

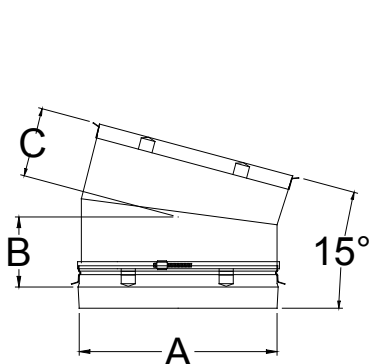
Saf-T Vent[®] GC 316

SINGLE WALL 316L SPECIAL GAS VENT

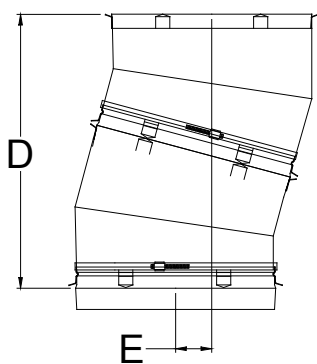
Elbows:

15° Elbow — Use to achieve offsets or changes in the direction of the vent system. The degree of these welded seam elbows is not adjustable. The pressure drop for each elbow is equivalent to 3 feet of vent.

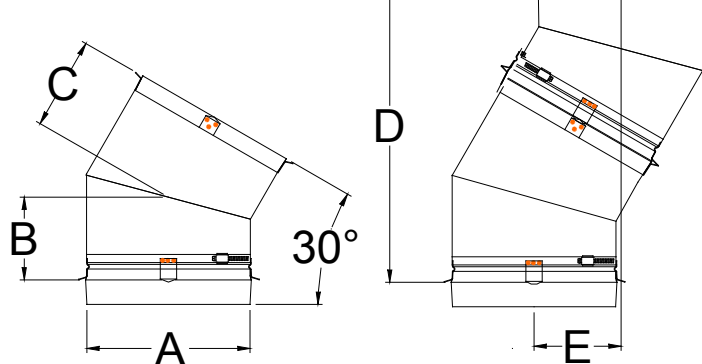
Part Number	DIM - A Nominal Diameter	DIM - B Rise	DIM - C Run	DIM - D Combined Installed Height	DIM - E Offset
71809GC-316	18	5.2	5.2	20.4	2.7
72009GC-316	20	5.3	5.3	20.9	2.8
72209GC-316	22	5.4	5.4	21.4	2.8
72409GC-316	24	5.6	5.6	21.9	2.9



15° Elbow



30° Elbow



30° Elbow — Use to achieve offsets or changes in the direction of the vent system. The degree of these welded seam elbows is not adjustable. The pressure drop for each elbow is equivalent to 5 feet of vent.

Part Number	DIM - A Nominal Diameter	DIM - B Rise	DIM - C Run	DIM - D Combined Installed Height	DIM - E Offset
71810GC-316	18	6.1	6.7	24	6.4
72010GC-316	20	6.4	7.0	25	6.7
72210GC-316	22	6.6	7.2	26	7.0
72410GC-316	24	6.9	7.5	27	7.2

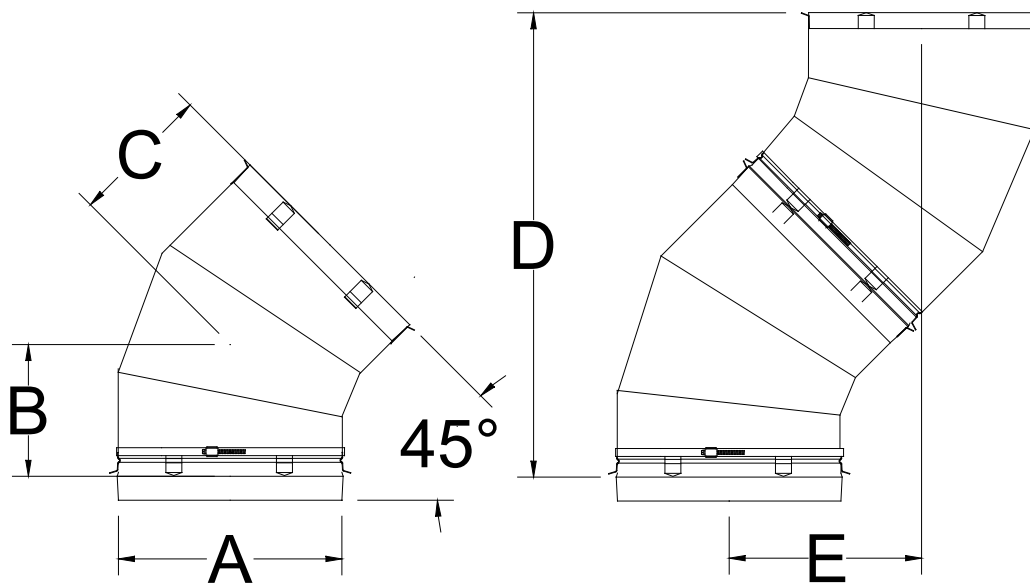
Saf-T Vent® GC 316

SINGLE WALL 316L SPECIAL GAS VENT

Elbows:

45° Elbow— Use to achieve offsets or changes in the direction of the vent system. The degree of these welded seam elbows is not adjustable. The pressure drop for each elbow is equivalent to 8 feet of vent.

Part Number	DIM - A Nominal Diameter	DIM - B Rise	DIM - C Run	DIM - D Combined Installed Height	DIM - E Offset
71811GC-316	18	9.1	9.7	32.0	13.3
72011GC-316	20	9.5	10.1	33.3	13.8
72211GC-316	22	9.9	10.5	34.8	14.4
72411GC-316	24	10.3	10.9	36.3	15.1



45° Elbow

Saf-T Vent® GC 316

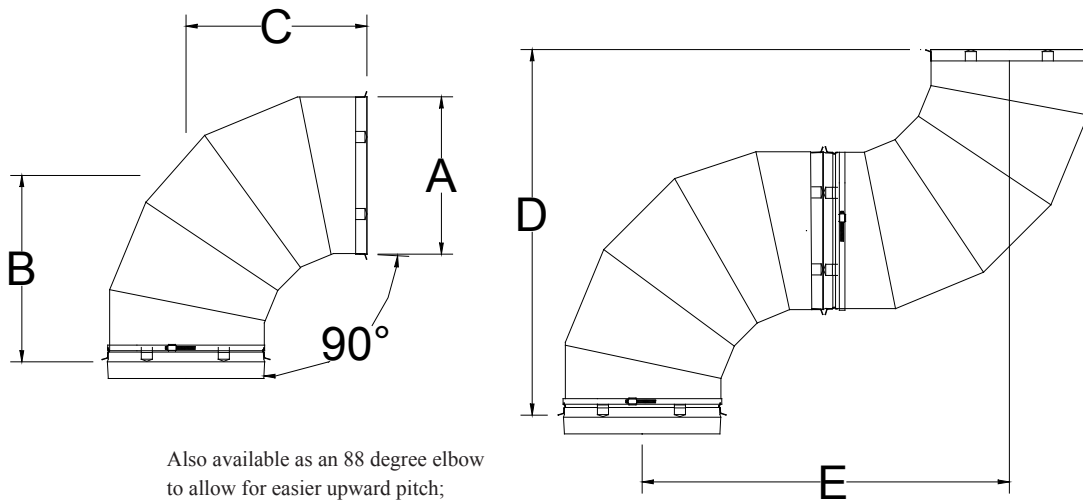
SINGLE WALL 316L SPECIAL GAS VENT

Elbows:

90° Elbow— Use to achieve offsets or changes in the direction of the vent system. The degree of these welded seam elbows is not adjustable. The pressure drop for each elbow is equivalent to 15 feet of vent.

Part Number	DIM - A Nominal Diameter	DIM - B Rise	DIM - C Run	DIM - D Combined Installed Height	DIM - E Offset
71814GC-316	18	18.8	18.3	37	37
72014GC-316	20	19.8	19.3	39	39
72214GC-316	22	20.8	20.3	41	41
72414GC-316	24	21.8	21.3	43	43

Not available larger than 24" size



90° Elbow

Saf-T Vent® GC 316

SINGLE WALL 316L SPECIAL GAS VENT

Straight Lengths:

Horizontal and Vertical — Install vent with a continuous pitch of 1/4" per foot, sloping upward toward the termination (unless otherwise specified by the appliance manufacturer). It is important to provide adequate support to a Saf-T Vent system. Support horizontal portions of the vent system at 6-foot intervals. Vertical sections should be supported at least every 30-feet and after every offset or transition.

6" Length

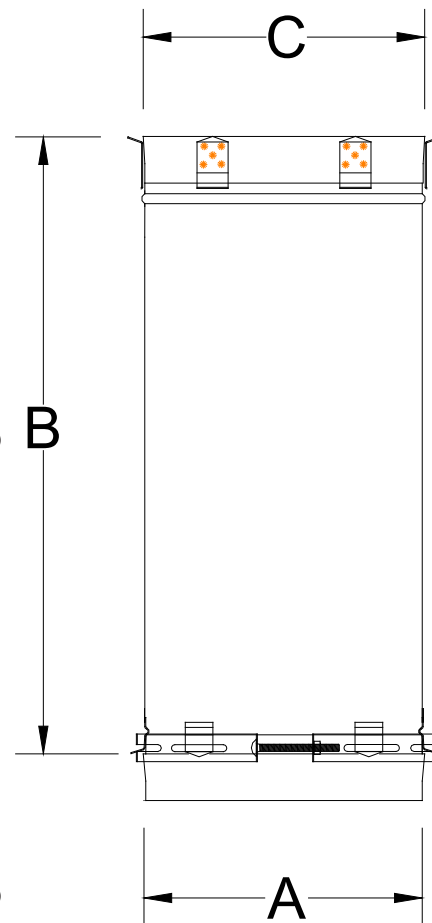
Part Number	DIM - A Nominal Diameter	DIM - B Installed Length	DIM - C Maximum OD
71801GC-316	18	4.5	18.4
72001GC-316	20	4.5	20.4
72201GC-316	22	4.5	22.4
72401GC-316	24	4.5	24.4

12" Length

Part Number	DIM - A Nominal Diameter	DIM - B Installed Length	DIM - C Maximum OD
71802GC-316	18	10.5	18.4
72002GC-316	20	10.5	20.4
72202GC-316	22	10.5	22.4
72402GC-316	24	10.5	24.4

18" Length

Part Number	DIM - A Nominal Diameter	DIM - B Installed Length	DIM - C Maximum OD
71804GC-316	18	16.5	18.4
72004GC-316	20	16.5	20.4
72204GC-316	22	16.5	22.4
72404GC-316	24	16.5	24.4



Saf-T Vent® GC 316

SINGLE WALL 316L SPECIAL GAS VENT

Straight Lengths:

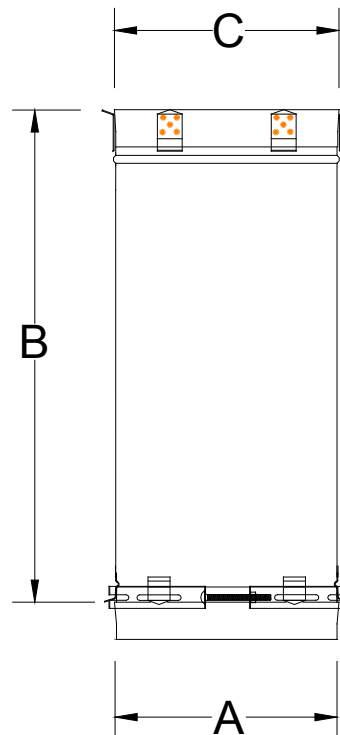
Horizontal and Vertical — Install vent with a continuous pitch of 1/4" per foot, sloping upward toward the termination (unless otherwise specified by the appliance manufacturer). It is important to provide adequate support to a Saf-T Vent system. Support horizontal portions of the vent system at 6-foot intervals. Vertical sections should be supported at least every 30-feet and after every offset or transition.

2 Ft. Length

Part Number	DIM - A Nominal Diameter	DIM - B Installed Length	DIM - C Maximum OD
71805GC-316	18	22.5	18.4
72005GC-316	20	22.5	20.4
72205GC-316	22	22.5	22.4
72405GC-316	24	22.5	24.4

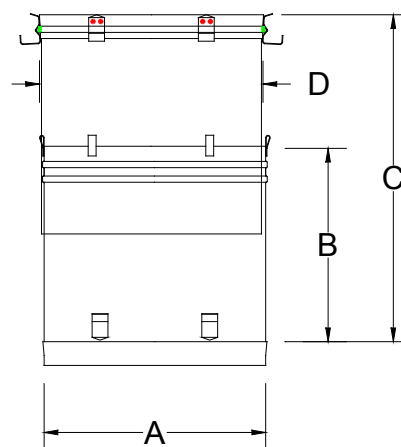
3 Ft. Length

Part Number	DIM - A Nominal Diameter	DIM - B Installed Length	DIM - C Maximum OD
71807GC-316	18	34.5	18.4
72007GC-316	20	34.5	20.4
72207GC-316	22	34.5	22.4
72407GC-316	24	34.5	24.4



Adjustable Length — Use to accommodate distances not possible with the standard Saf-T Vent GC 316 lengths. The slip connector serves as an adjustable section and eliminates the need to cut parts to length. The Slip Connector can have an installed length from 12 to 21 inches. It works best in conjunction with another straight length of Saf-T Vent GC 316. When used with an elbow or a tee, do not insert the Slip Connector so far that air flow within the vent becomes obstructed. When planning a venting system, include one slip connector for every change of direction and for any spans between two fixed points. Each slip connector comes with three components, a slip section, a male connector and a stainless steel hose clamp.

Part Number	DIM - A Nominal Diameter	DIM - B Minimum Installed Length	DIM - C Maximum Installed Length	DIM - D Slip Diameter
71824GC-316	18	12	21	17.9
72024GC-316	20	12	21	19.9
72224GC-316	22	12	21	21.9
72424GC-316	24	12	21	23.9



Saf-T Vent® GC 316

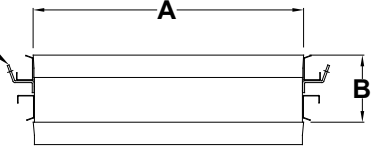
SINGLE WALL 316L SPECIAL GAS VENT

Supports:

Guy Support Section — Provides vertical support using a part that is a flue-gas-carrying component of the vent system. Guy sections are primarily installed in long, inaccessible chases or used to provide support to systems with extended lengths above the roofline. Attach the guy section using stainless steel or galvanized cables or chain (supplied by others). Each guy section comes standard with one 5" long coupler and a joint locking strap, note: the coupler is not required for use on the GC product.

Part Number	DIM - A Nominal Diameter	DIM - B Installed Height
CCA18GUY-316	18	4.5
CCA20GUY-316	20	4.5
CCA22GUY-316	22	4.5
CCA24GUY-316	24	4.5

3/8" Diameter
Cable Holes

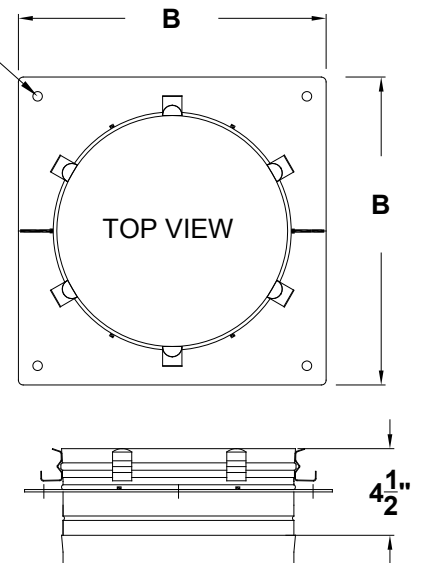


Guy Support Section

Vertical Support Section With Plate — Provides vertical stack support using a part that is a flue-gas carrying component of the vent system. Framework is by others, utilizing typical construction components such as angle iron or unistrut type material. Each support section comes standard with one 5" long coupler and a joint locking strap, note: the coupler is not required for use on the GC product.

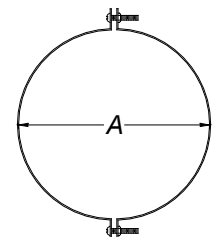
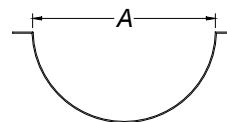
Part Number	DIM - A Nominal Diameter	DIM - B Plate Size
CCA18VSP-316	18	22
CCA20VSP-316	20	24
CCA22VSP-316	22	26
CCA24VSP-316	24	28

1/2" Diameter
Bolt Holes



Support Clamp — For use on horizontal systems to provide support at the required 6-foot intervals. Support clamps by themselves do not maintain the necessary clearances to combustible materials; be sure to consider clearances when planning the system. Support clamps are sold in pairs, with two half-shells, and two 1/4-20 nuts and bolts. This part is made from 18-gauge Type 304 stainless steel and should not be installed in the direct path of flue gases. **Never drill or screw through the Saf-T Vent GC Seal conduit.**

Part Number	DIM - A Nominal Diameter
41827SS	18
42027SS	20
42227SS	22
42427SS	24



Support Clamp

Used singly as a saddle to rest the vent in or use in pairs to clamp around the vent; suspend from rods or cables.

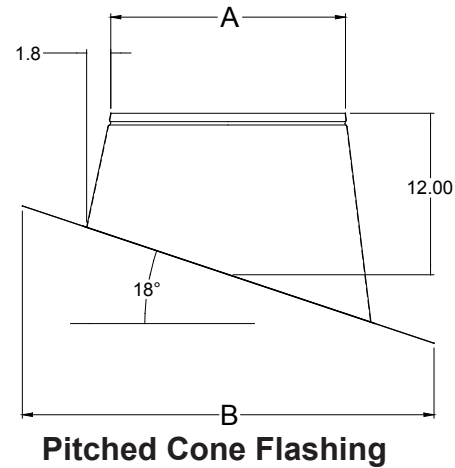
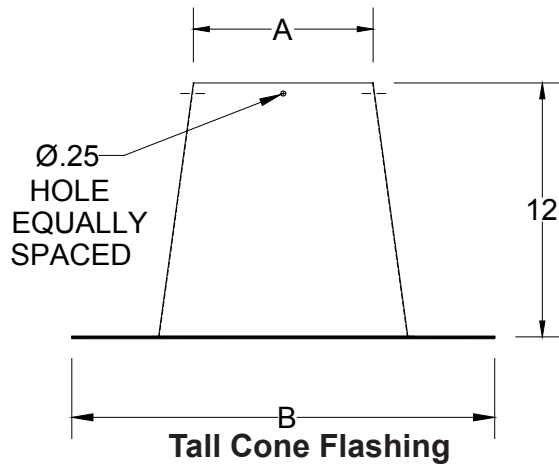
Saf-T Vent® GC 316

SINGLE WALL 316L SPECIAL GAS VENT

Supports:

Tall Cone Flashing and Support— Use as a vertical roof penetration/support in conjunction with a combustible chase. Can be used with a roof curb if needed. Can be used on metal roofs with a 2-12 pitch. This part comes with a storm collar and support screws and is of all stainless steel construction. A Vented Termination Collar **must** be used when installed in a combustible chase and must be ordered separately. Can be used with Saf-T Vent GC 316 vent when clearance to combustibles are maintained. CAUTION: the support screws can **only** be installed with Saf-T Vent CI Plus/CI 316 venting.

Part Number	Inner Vent Diameter	DIM-A Top of Cone Opening	DIM - B Face Plate (Square)
CCM16TCF	16	18.5	30
CCM18TCF	18	20.5	32
CCM20TCF	20	22.5	34
CCM22TCF	22	24.5	36



Pitched Tall Cone Flashing — Use as a vertical roof penetration in conjunction with a combustible chase. Can be used on roofs with a 2/12 - 6/12 pitch. This part comes with a storm collar and is of all stainless steel construction. A Vented Termination Collar **must** be used when installed in a combustible chase and must be ordered separately. Can be used with Saf-T Vent GC 316 vent when clearance to combustibles are maintained.

Part Number	Inner Vent Diameter	DIM-A Top of Cone Opening	DIM - B Face Plate (Square)
CCM16TCFP	16	19.5	34
CCM18TCFP	18	21.5	36
CCM20TCFP	20	23.5	38
CCM22TCFP	22	25.5	40

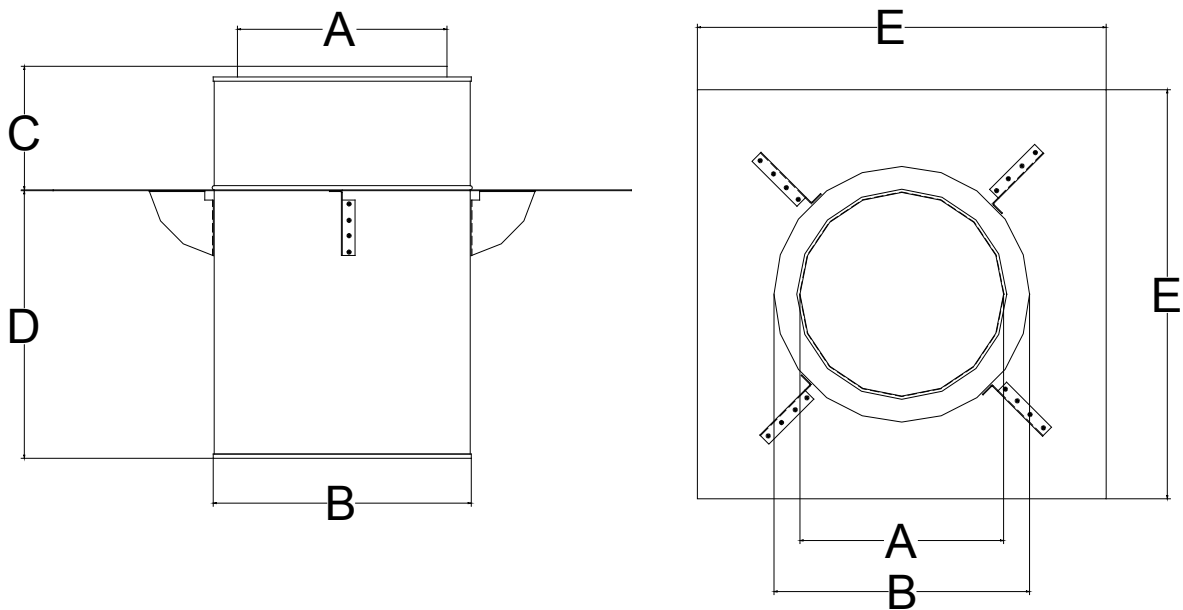
Saf-T Vent® GC 316

SINGLE WALL 316L SPECIAL GAS VENT

Thimbles & Penetrations:

Roof Jack Support System— For use with Saf-T Vent systems with vertical terminations. Use to pass through combustible and non-combustible roof structures. The roof jack support system must be installed on a flat roof or a level curb only. Each roof jack support system includes a storm collar that provides support and, when sealed, acts as a water barrier.

Part Number	Nominal Diameter	DIM - A ID of Roof Jack	DIM - B OD of Roof Jack	DIM - C Height Above Roof Line	DIM - D Height Below Roof Line	DIM - E Plate Size
51880CI	18	18.5	21.1	7.25	15	30
52080CI	20	20.5	23.1	7.25	15	32
52280CI	22	22.5	25.1	7.25	15	34
52480CI	24	24.5	27.1	7.25	15	36



Roof Jack Support System

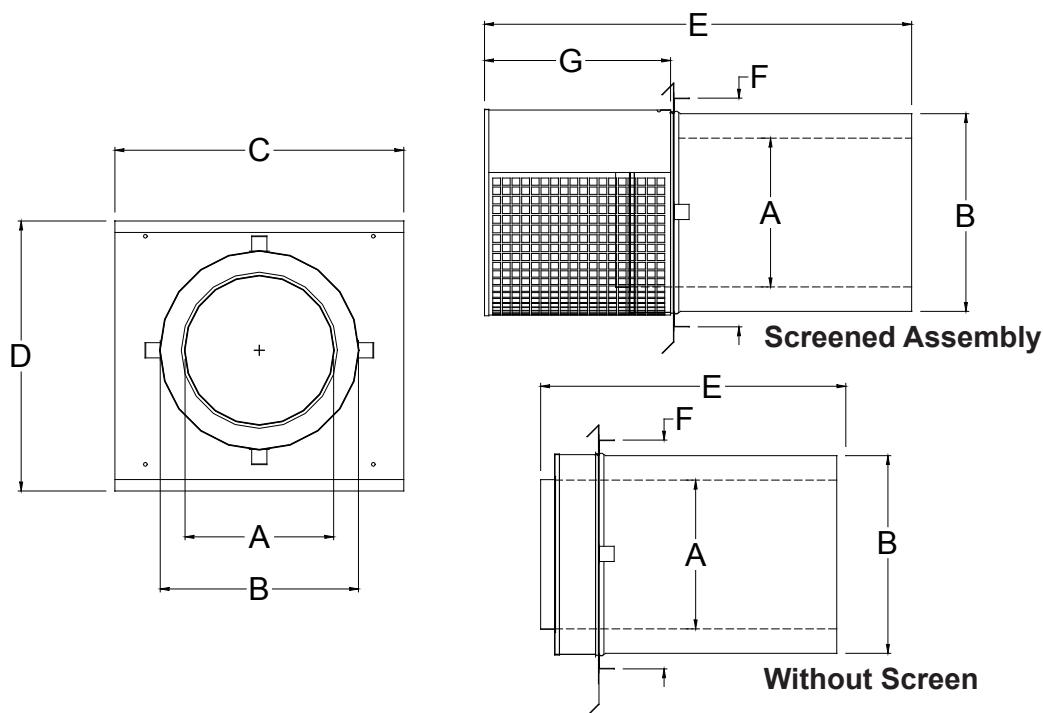
Saf-T Vent® GC 316

SINGLE WALL 316L SPECIAL GAS VENT

Thimbles & Penetrations:

Wall Penetration & Horizontal Termination — For Saf-T Vent systems with horizontal terminations. Use to penetrate any combustible or non-combustible wall. This part is a thimble only and does not include any vent. Order enough vent to pass through the thimble and extend 4-8 inches beyond the building sheathing. Includes an AL 29-4C screen cover to terminate the vent system. The assembly may be painted to match the exterior decor.

Part Number	DIM - A Nominal Diameter	DIM - B Outer Tube Diameter	DIM - C Face Plate Width	DIM - D Face Plate Height	DIM - E Overall Length	DIM - F Wall Opening	DIM - G Exterior Length
51890CI	18	21	27	26	27.5	23	12
52090CI	20	23	29	28	27.5	25	12
52290CI	22	25	31	30	27.5	27	12
52490CI	24	27	33	32	27.5	29	12



Wall Penetration Assembly - without Screen — The same as the wall penetration as shown above except without the screen cover.

Part Number	DIM - A Nominal Diameter	DIM - B Outer Tube Diameter	DIM - C Face Plate Width	DIM - D Face Plate Height	DIM - E Overall Length	DIM - F Wall Opening
51891CI	18	21	27	26	18.5	23
52091CI	20	23	29	28	18.5	25
52291CI	22	25	31	30	18.5	27
52491CI	24	27	33	32	18.5	29

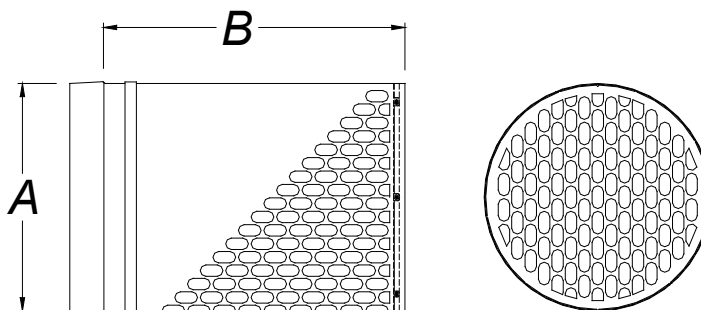
Saf-T Vent® GC 316

SINGLE WALL 316L SPECIAL GAS VENT

Terminations:

Mitered Termination with Screen — Use as a termination on horizontal or vertical systems, as specified or allowed by the appliance manufacturer.

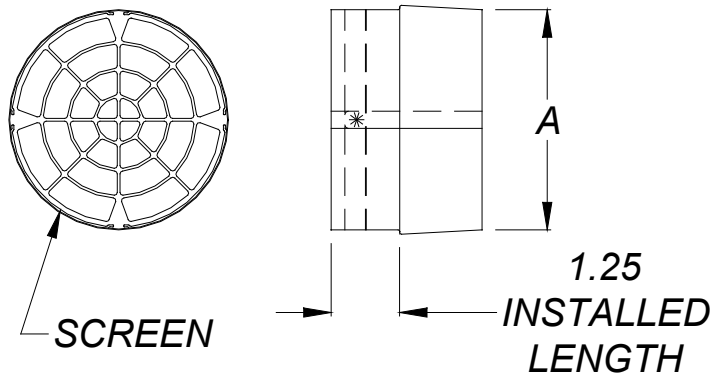
Part Number	DIM - A Nominal Diameter	DIM - B Installed Length
71890GC	18	18.50
72090GC	20	18.50
72290GC	22	22.25
72490GC	24	22.25



Mitered Termination with Screen

Screen Termination — Use as a termination on horizontal or vertical systems, as specified or allowed by the appliance manufacturer.

Part Number	DIM - A Nominal Diameter
71892GC	18
72092GC	20
72292GC	22
72492GC	24



Screen Termination

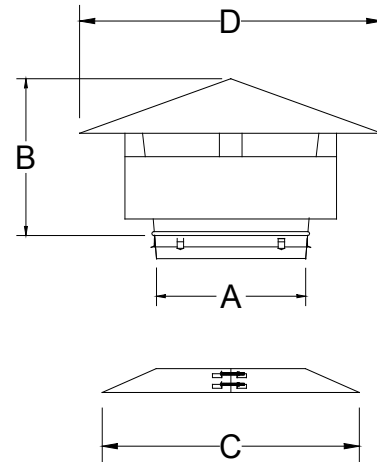
Saf-T Vent® GC 316

SINGLE WALL 316L SPECIAL GAS VENT

Terminations:

Rain Cap — Use as a termination on vertical systems. Category I and II appliances require a raincap or other device to prevent rainwater from entering the vent. Vent systems for positive pressure appliances may omit the raincap if there are other provisions for draining rainwater from the system. The raincap may also be used as a horizontal termination. Each raincap includes a storm collar that is used to attach the raincap to the vent system.

Part Number	DIM - A Nominal Vent Pipe Diameter	DIM - B Cap Installed Height	DIM - C Storm Collar OD	DIM - D Cap OD
CCA18RC	18	15.5	36	36
CCA20RC	20	17.5	36	36
CCA22RC	22	19.5	44	44
CCA24RC	24	19.5	48	48



Termination Accessories:

Storm Collar — For use on horizontal or vertical systems when a Heat-fab wall or roof penetration is not used or is not required. The storm collar may be tightened and sealed around the vent to prevent water from entering the building. It may also be used as a decorative shield to cover holes where the vent penetrates interior concrete and masonry walls. This part is made from Type 304 stainless steel and should not be installed in the direct path of flue gases.

Part Number	DIM - A Nominal Diameter
41826SS	18
42026SS	20
42226SS	22
42426SS	24

