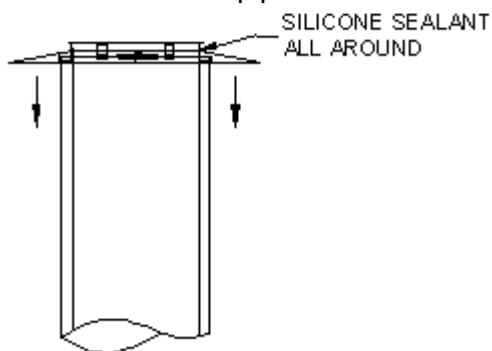


- Unscrew the wormgear clamp on the Rain Cap's Storm Collar.

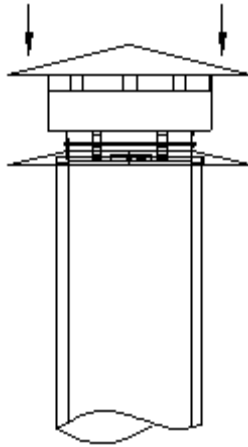


- Remove the locking strap from the last section of vent pipe.

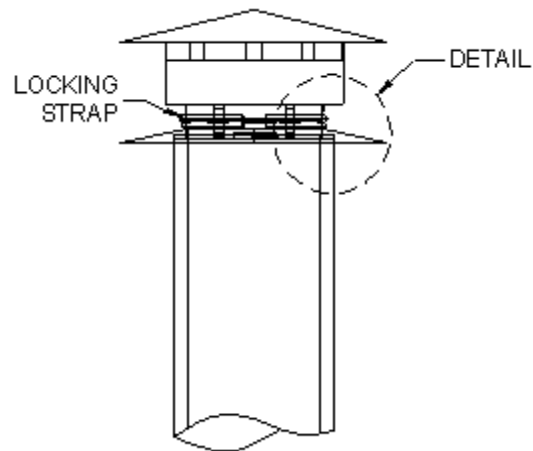


- Lower the Storm Collar past the clips on the last section of vent pipe.  
The Storm Collar should sit approximately 1/2" down from the clip edges.
- Tighten the Storm Collar's wormgear clamp to tighten around the inner vent pipe.
- Apply a high temperature silicone sealant around the clamped edge of the storm collar.

- Remove the locking strap from the Rain Cap.
- Lower the Rain Cap into the last section of vent pipe, lining up the clips.



- Attach the locking strap around the vent pipe and Rain Cap and tighten to complete the joint.



- Detail showing finished assembly.

